

DRVS

(8182)63-90-72
+7(7172)727-132
(4722)40-23-64
(4832)59-03-52
(423)249-28-31
(844)278-03-48
(8172)26-41-59
(473)204-51-73
(343)384-55-89
(4932)77-34-06
(3412)26-03-58
(843)206-01-48

(4012)72-03-81
(4842)92-23-67
(3842)65-04-62
(8332)68-02-04
(861)203-40-90
(391)204-63-61
(4712)77-13-04
(4742)52-20-81
(3519)55-03-13
(495)268-04-70
(8152)59-64-93
(8552)20-53-41

(831)429-08-12
(3843)20-46-81
(383)227-86-73
(4862)44-53-42
(3532)37-68-04
(8412)22-31-16
(342)205-81-47
- - (863)308-18-15
(4912)46-61-64
(846)206-03-16
- (812)309-46-40
(845)249-38-78

(4812)29-41-54
(862)225-72-31
(8652)20-65-13
(4822)63-31-35
(3822)98-41-53
(4872)74-02-29
(3452)66-21-18
(8422)24-23-59
(347)229-48-12
(351)202-03-61
(8202)49-02-64
(4852)69-52-93

New

Semi-rotary drives DRVS

Key features

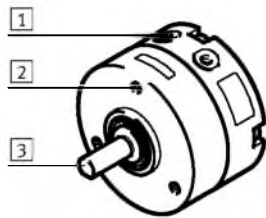
Key features at a glance

- Double-acting semi-rotary drive with rotary vanes
- Lighter than other semi-rotary drives
- Modern and compact design
- Fixed swivel angle
- Swivel angle can be adjusted with the help of accessories
- Housing protected against splash water and dust
- No metal fixed stop

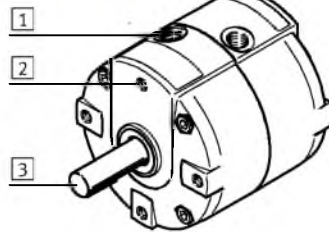
The technology in detail

Semi-rotary drive DRVS

Size 6, 8



Size 12 ... 40



- 1 Pneumatic connection
- 2 Mounting thread
- 3 Output shaft:
Size 6 ... 16: with flat
Size 25 ... 40: with feather key

Position sensor SRBS

The position sensor is used for sensing the end positions of the semi-rotary drive DRVS.

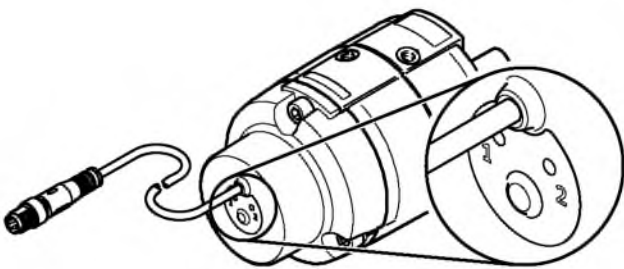
Sensing is performed magnetically and without contact. Two switching points are output.

Features:

- Quick assembly without having to manually search for switching points
- Simple and reliable operation using one button
- Only one connecting cable required
- Long service life thanks to sturdy and non-contacting position sensing

Technical data:

- Sensing range: 0 ... 270°
- Repetition accuracy: $\leq 1^\circ$
- 2 switching outputs (24 V)
- Switching output: PNP or NPN programmable
- Switching element function: N/O contact or N/C contact programmable



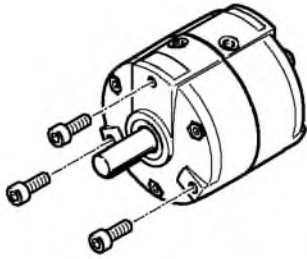
Semi-rotary drives DRVS

Type codes

Mounting options

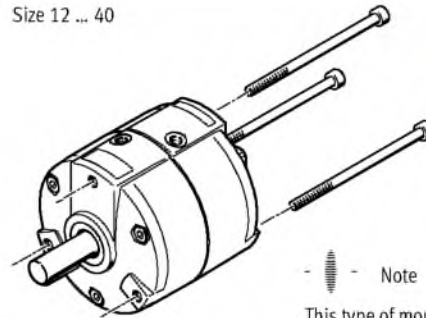
Via internal thread

Size 6 ... 40



Via through-hole

Size 12 ... 40

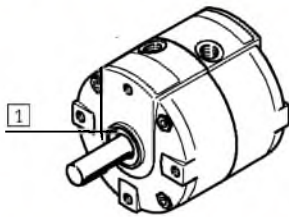


- - Note

This type of mounting is not permissible in combination with accessories.

Centring via centring collar

Size 6 ... 40



1 Centring collar

Type codes

DRVS - 12 - 180 - P -

Type

Double-acting

DRVS Semi-rotary drive

Size [mm]

Swivel angle [°]

Cushioning

P Elastic cushioning rings/plates at both ends

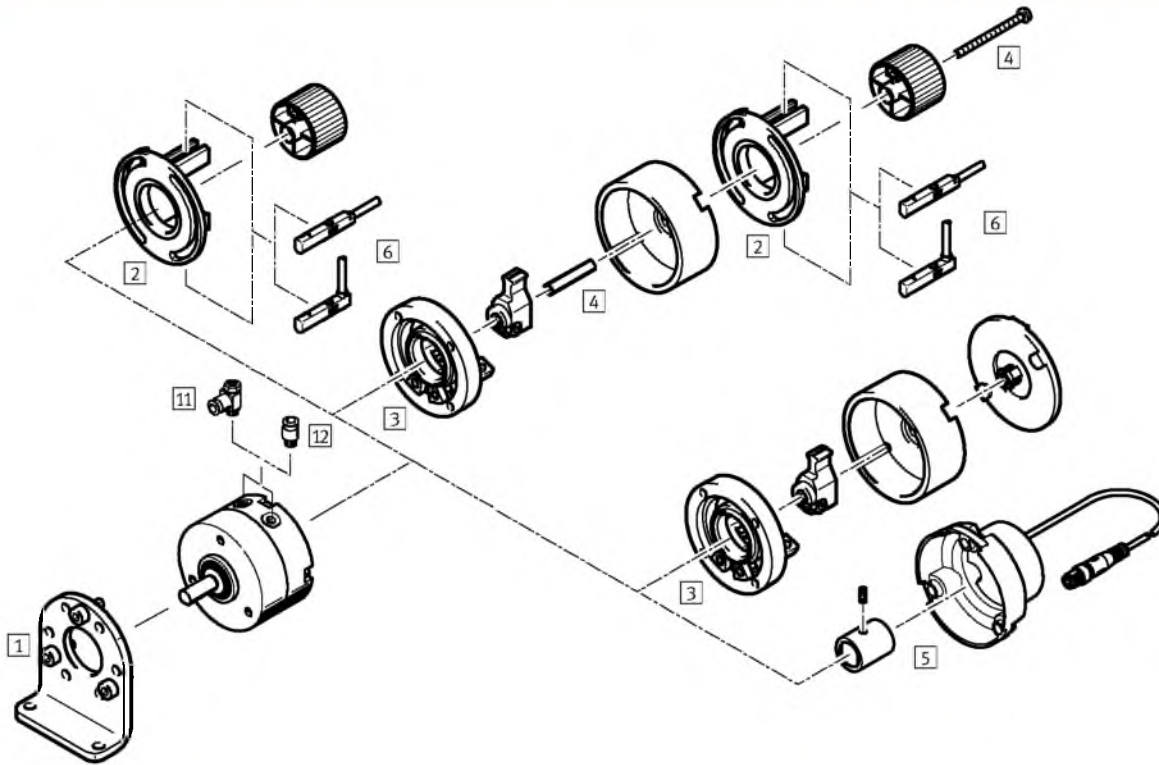
EU certification

EX4 II 2GD

Semi-rotary drives DRVS

Peripherals overview

Size 6 and 8

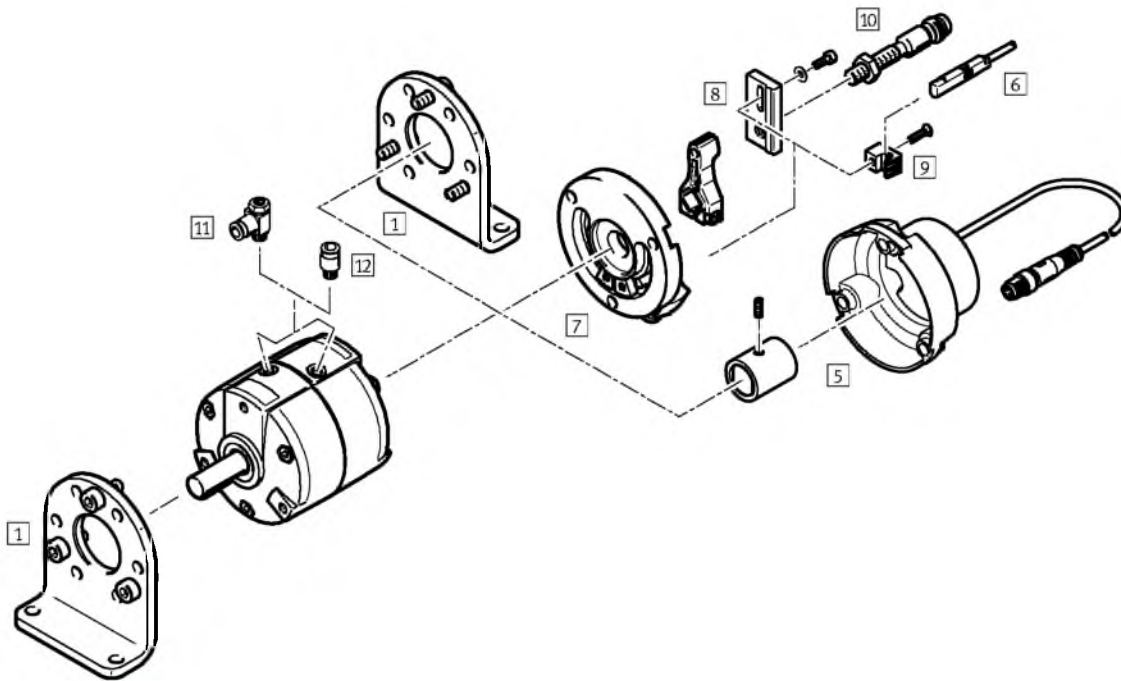


Accessories	Description	→ Page/ Internet
1 Foot mounting DAMH	<ul style="list-style-type: none"> For mounting the semi-rotary drive Front mounting only 	14
2 Mounting kit WSM-...-SME-10	<ul style="list-style-type: none"> For sensing the swivel angle For mounting the proximity sensor SME-/SMT-10 Must be ordered separately as an accessory Can be combined with stop kit KSM The adapter kit DADP-AK must also be ordered in combination with stop kit KSM → 16 	16
3 Stop kit KSM	<ul style="list-style-type: none"> For adjusting the swivel angle Must be ordered separately as an accessory Can be combined with mounting kit WSM The adapter kit DADP-AK must also be ordered in combination with mounting kit WSM → 16 	16
4 Adapter kit DADP-AK	For attaching mounting kit WSM to stop kit KSM	16
5 Position sensor SRBS	<ul style="list-style-type: none"> For sensing the swivel angle No adjustment of the proximity sensors required The end positions of the swivel angle are taught in at the touch of a button Can only be mounted directly on the semi-rotary drive, without other accessories Must be ordered separately as an accessory The scope of delivery of the position sensor includes a magnet, which must be mounted on the shaft of the semi-rotary drive 	17
6 Proximity sensor SME/SMT-10	Proximity sensor for sensing the end position	20
11 One-way flow control valve GRLA	For regulating speed	21
12 Push-in fitting QS	For connecting compressed air tubing with standard O.D.	quick star

Semi-rotary drives DRVS

Peripherals overview

Size 12 ... 40



Accessories	Description	→ Page/ Internet
1 Foot mounting DAMH	<ul style="list-style-type: none"> For mounting the semi-rotary drive Mounting at one or both ends 	14
5 Position sensor SRBS	<ul style="list-style-type: none"> For sensing the swivel angle No adjustment of the proximity sensors required The end positions of the swivel angle are taught in at the touch of a button Can only be mounted directly on the semi-rotary drive, without other accessories Must be ordered separately as an accessory The scope of delivery of the position sensor includes a magnet, which must be mounted on the shaft of the semi-rotary drive 	17
6 Proximity sensor SME/SMT-10	Proximity sensor for sensing the end position	20
7 Stop kit DADP-ES	<ul style="list-style-type: none"> For adjusting the swivel angle Must be ordered separately as an accessory 	18
8 Sensor bracket SL-DSM-S	For mounting the round inductive proximity sensor SIEN	20
9 Sensor bracket SL-DSM-B	For mounting the proximity sensor SME/SMT-10	20
10 Proximity sensor SIEN	Inductive proximity sensor for sensing the end position	21
11 One-way flow control valve GRLA	For regulating speed	21
12 Push-in fitting QS	For connecting compressed air tubing with standard O.D.	quick star

New

Semi-rotary drives DRVS

Technical data

Function



Size
6 ... 40



General technical data							
Size	6	8	12	16	25	32	40
Pneumatic connection	M3		M5			G1/8	
Design	Rotary vane						
Cushioning	Elastic cushioning rings/plates at both ends						
Type of mounting	Via internal thread						
Mounting position	Any						
Swivel angle [°]	90, 180		90, 180, 270				
Swivel angle with stop kit KSM, DADP	→ 18						
Cushioning angle [°]	0.5						
Repetition accuracy [°]	1						
Swivel frequency at 6 bar [Hz]	3		2				

Operating and environmental conditions							
Size	6	8	12	16	25	32	40
Operating medium	Compressed air to ISO 8573-1:2010 [7:4:4]						
Note on operating/pilot medium	Lubricated operation possible (in which case lubricated operation will always be required)						
Operating pressure [bar]	3.5 ... 8		2.5 ... 8			2 ... 8	
Ambient temperature ¹⁾ [°C]	0 ... +60						
Storage temperature [°C]	20						
Corrosion resistance class CRC ²⁾	1						

1) Note operating range of proximity sensors.

2) Corrosion resistance class CRC 1 to Festo standard FN 940070

Low corrosion stress. For dry indoor applications or transport and storage protection. Also applies to parts behind covers, in the non-visible interior area, and parts which are covered in the application (e.g. drive trunnions).

ATEX ¹⁾	
ATEX category for gas	II 2G
Explosion ignition protection type for gas	c T4 X
ATEX category for dust	II 2D
Explosion ignition protection type for dust	c T120°C X
Explosion-proof temperature [°C]	0 °C ≤ Ta ≤ +60 °C
CE marking (see declaration of conformity)	To EU Explosion Protection Directive (ATEX)

1) Note the ATEX certification of the accessories.

Semi-rotary drives DRVS

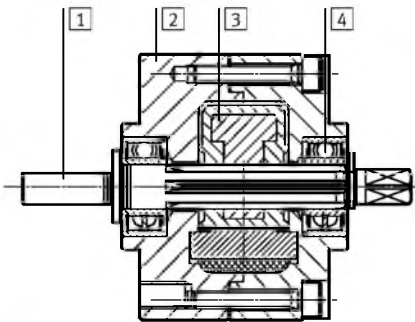
Technical data

Weight [g]							
Size	6	8	12	16	25	32	40
Swivel angle of 90°	38	68	154	272	502	928	1530
Swivel angle of 180°	38	68	152	270	494	912	1500
Swivel angle of 270°	-	-	150	268	486	896	1470

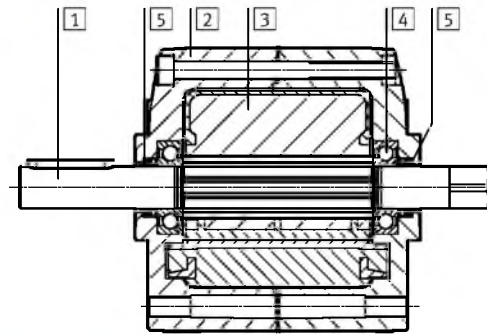
Materials

Sectional view

DRVS-6/8



DRVS-12 ... 40

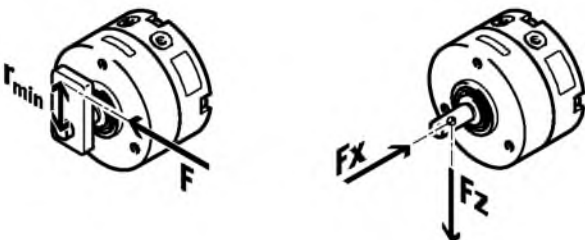


Size	6	8	12	16	25	32	40
1 Output shaft	High-alloy stainless steel			Nickel-plated steel			
2 Housing	Anodised wrought aluminium alloy			Painted die-cast aluminium			
3 Rotary vane	Reinforced PET						
4 Ball bearing	Rolled steel						
5 Shaft seal	-			PU			NBR
- Screws	Galvanised steel						
- Seals	TPE-U(PU)						
Note on materials	RoHS-compliant						

Forces and torques

Size	6	8	12	16	25	32	40	
Theoretical torque								
at 6 bar	[Nm]	0.15	0.35	1	2	5	10	20
per bar	[Nm]	0.025	0.058	0.166	0.33	0.83	1.66	3.33
Perm. stop radius r	[mm]	10	10	15	17	21	28	40
Perm. stop force F	[N]	15	30	90	160	320	480	650
Max. perm. dyn. axial force $F_x^{1)}$	[N]	10	10	20	25	40	75	120
Max. perm. dyn. radial force $F_z^{1)}$	[N]	15	20	25	30	60	200	350
Max. perm. mass moment of inertia	[kgm ² x10 ⁻⁴]	6.5	13	50	100	120	200	350

1) On the output shaft

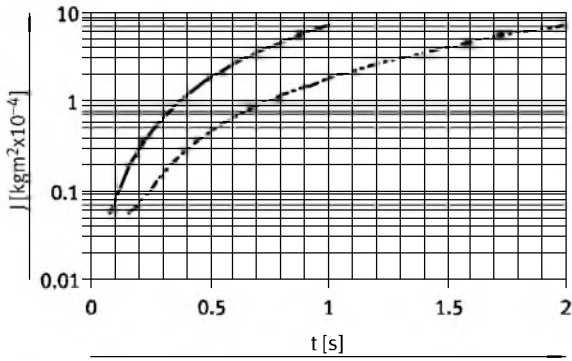


Semi-rotary drives DRVS

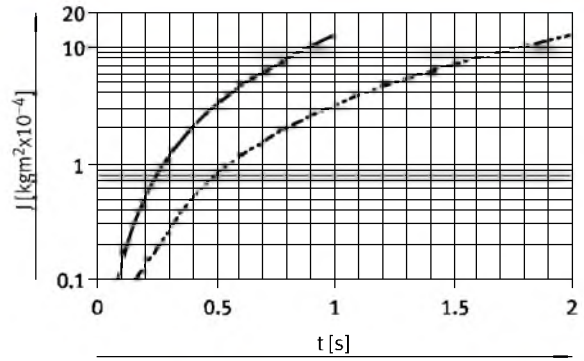
Technical data

Mass moment of inertia J as a function of swivel time t

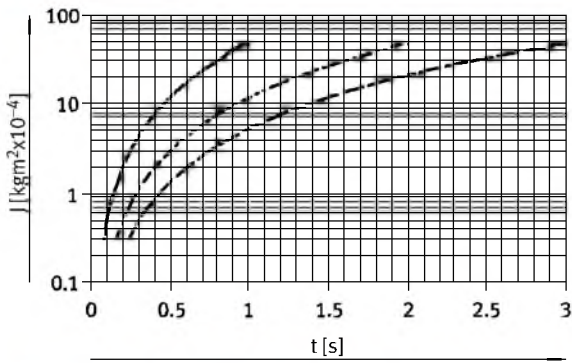
Size 6



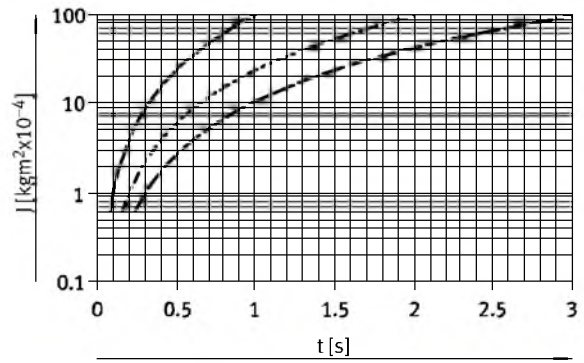
Size 8



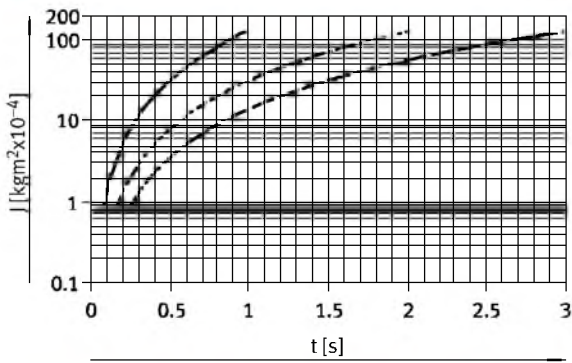
Size 12



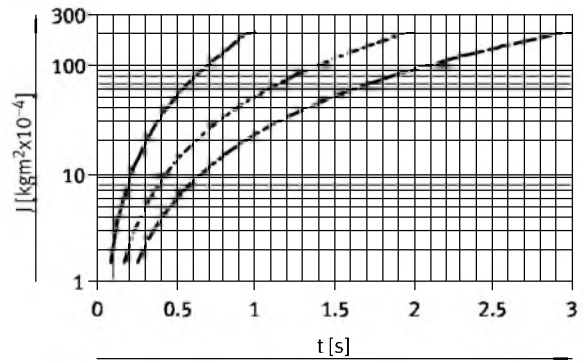
Size 16



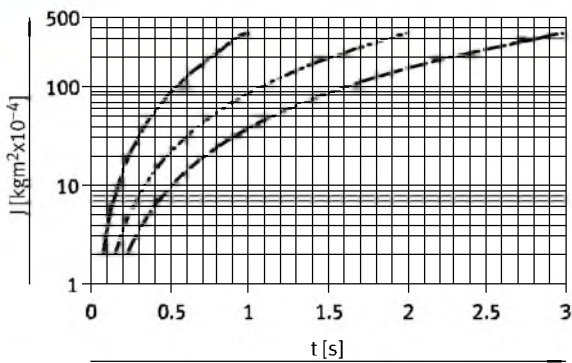
Size 25



Size 32



Size 40



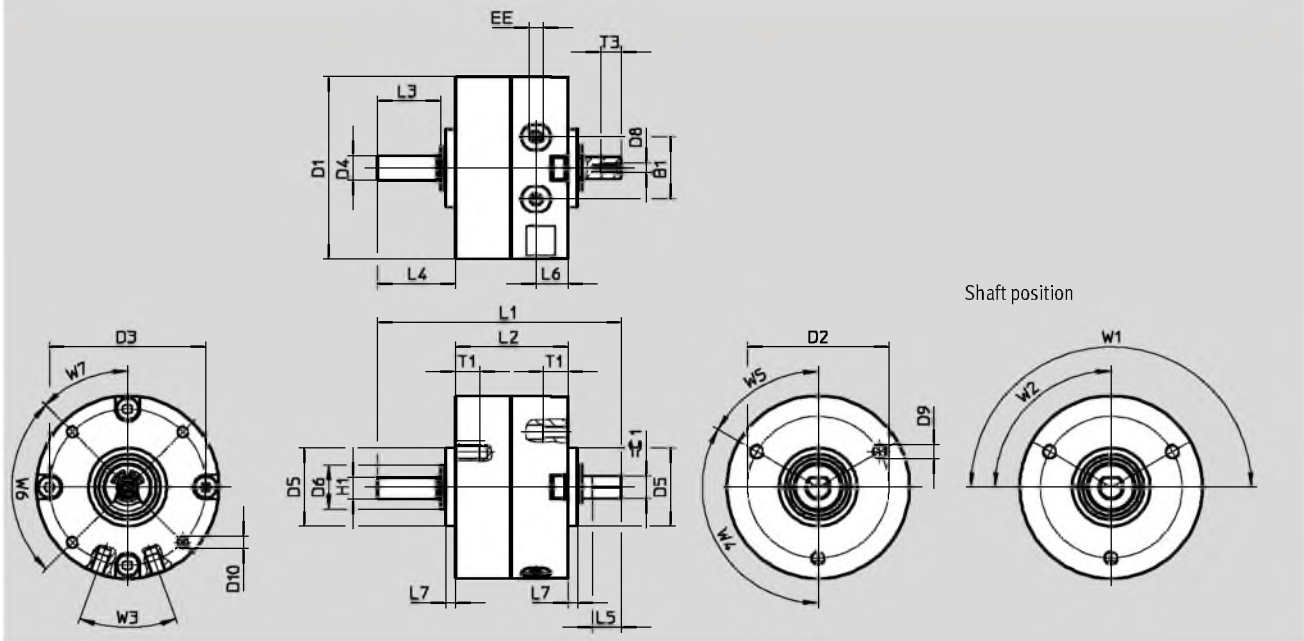
— 90°
 - - - 180°
 - · - 270°

Semi-rotary drives DRVS

Technical data

Dimensions

Size 6/8



Size	B1	D1 ∅ ±0.2	D2 ∅ ±0.1	D3 ∅ ±0.1	D4 ∅ g7	D5 ∅ f8	D6 ∅	D8	D9
6	10	29.4	24	25	4	14	8	M2	M3
8	12.8	37.4	29	32	5	16	9	M2	M3

Size	D10	EE	H1 -0.2	L1	L2	L3	L4	L5 -0.2	L6	L7
6	M2	M3	3.5	43	21	10	13	5	6	2
8	M2.5	M3	4.5	50	23	13	16	6	6.5	2

Size	T1 +0.5	T3 +0.5	W1 +5°	W2 +5°	W3	W4	W5	W6	W7	≈ 1
6	5	3.5	180°	90°	40°	120°	60°	90°	45°	3
8	5	4.3								3.5

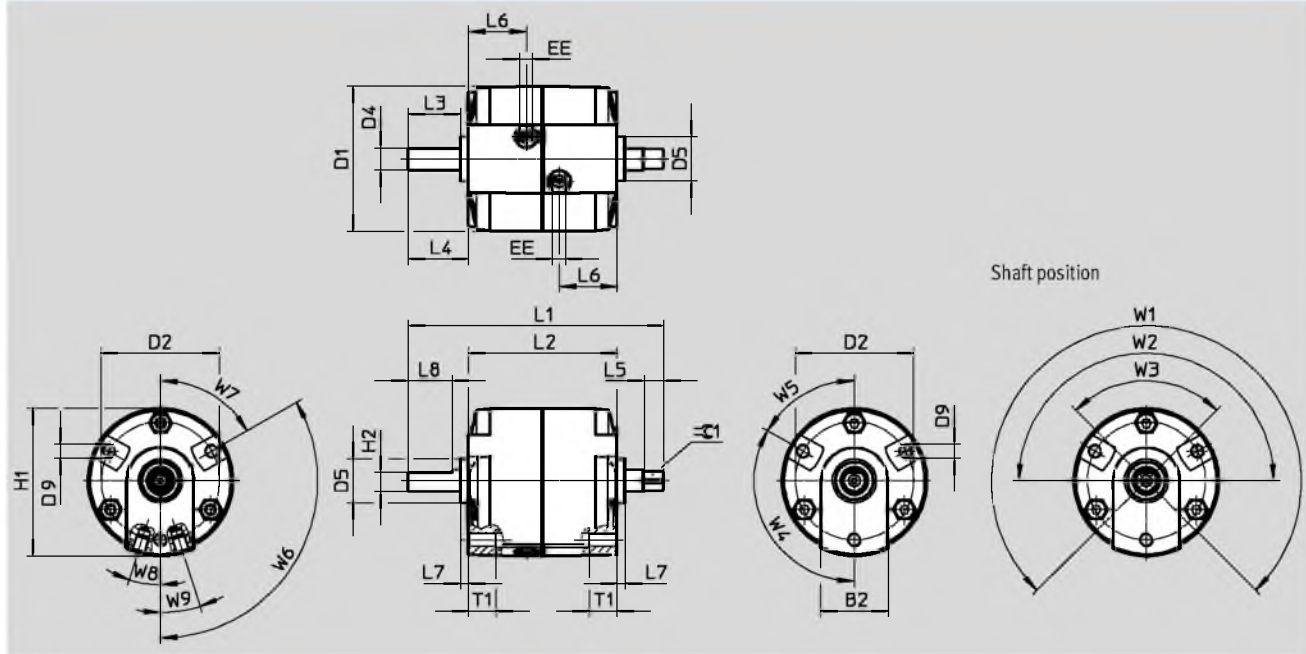
New

Semi-rotary drives DRVS

Technical data

Dimensions

Size 12/16



Size	B2	D1 ∅	D2 ∅ ±0.2	D4 ∅ g7	D5 ∅ -0.1	D9	EE	H1
12	24	45.5	36	6	14	M4	M5	46.3
16	24.5	52.7	43	8	16	M5	M5	53.7

Size	H2 ±0.1	L1	L2 +0.6/-0.2	L3	L4	L5	L6	L7 +0.1/-0.1	L8 +0.4	T1
12	5	73+0.2/-0.1	40.5	17	20+0.4/-0.6	9±0.1	14.8	3	14	8
16	7	93+0.2/-0.2	54	19	22+0.4/-0.7	7.2+0.1	21	3	16	10

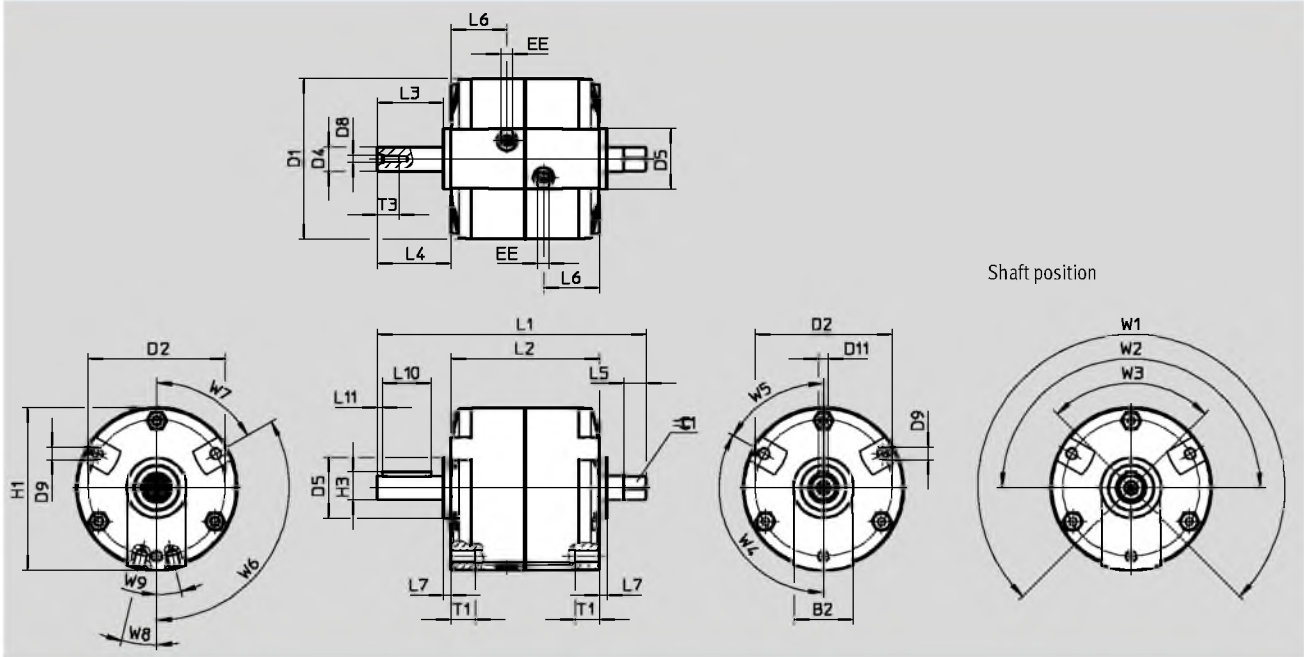
Size	W1 +7°	W2 +7°	W3 +7°	W4	W5	W6	W7	W8	W9	∠ 1
12	270°	180°	90°	120°	60°	120°	60°	19.5°	19.5°	4.5 _{h11}
17.5°								17.5°	6 _{-0.1}	
16										

Semi-rotary drives DRVS

Technical data

Dimensions

Size 25



Size	B2	D1	D2	D4	D5	D8	D9	D11
		∅	∅	∅	∅			N9
			±0.2	g7	-0.1			
25	24	65.7	56	10	25	M3	M5	4

Size	EE	H1	H3	L1	L2	L3	L4	L5
			-0.2	+0.2/-0.3	+0.3/-0.2		+0.3/-0.4	
25	M5	66.7	11.5	110.2	61	27.1	30.1	9.2

Size	L6	L7	L10	L11	T1	T3	W1	W2
		+0.1/-0.1	+0.1			+3	+7°	+7°
25	23	3	20	2	10	9	270°	180°

Size	W3	W4	W5	W6	W7	W8	W9	⊙ 1	Feather key ¹⁾
	+7°							-0.1	
25	90°	120°	60°	120°	60°	13°	13°	8	A4x4x20

1) Included in the scope of delivery

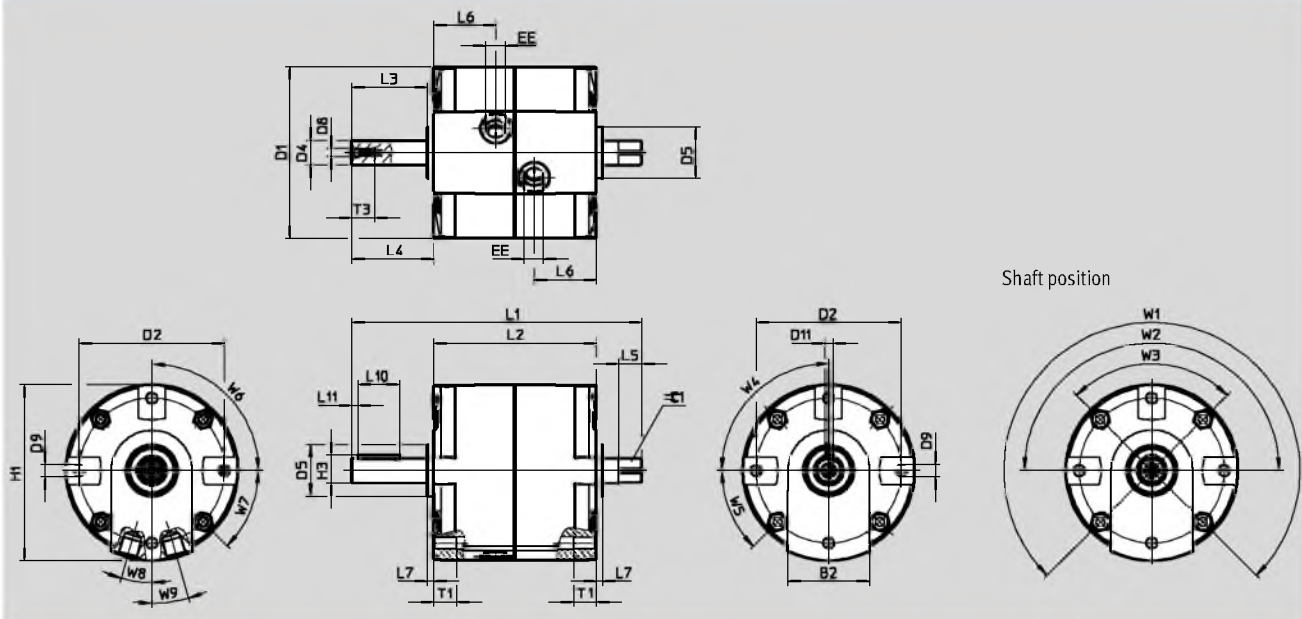
New

Semi-rotary drives DRVS

Technical data

Dimensions

Size 32/40



Size	B2	D1	D2	D4	D5	D8	D9	D11
		∅	∅ ±0.2	∅ g7	∅ -0.1			N9
32	39	83	70	12	25	M4	M6	4
40	42	100.1	87	17	30	M5	M8	5

Size	EE	H1	H3	L1	L2	L3	L4	L5
			-0.2	+0.2/-0.3			+0.3/-0.6	
32	G $\frac{1}{8}$	85	13.5	140	78.5+0.5/-0.1	36.5	39.5	11.2
40	G $\frac{1}{8}$	102.6	19	170	93+0.4	50.5	53.5	16+0.3


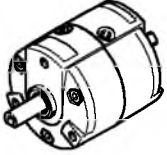
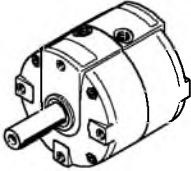
Size	L6	L7	L10	L11	T1	T3	W1	W2
						+3	+7°	+7°
32	30	3+0.1/-0.2	20+0.1	3	11	11	270°	180°
40	37	3+0.2	36.1+0.3	5	13+3	13		

Size	W3	W4	W5	W6	W7	W8	W9	⊙ 1	Feather key to DIN 6885 ¹⁾
	+7°							h11	
32	90°	90°	45°	90°	45°	16°	16°	10	A4x4x20
40						14.5°	14.5°	13	A5x5x36

1) Included in the scope of delivery

Semi-rotary drives DRVS

Technical data

Ordering data						
	Size	Swivel angle	Without ATEX certification		With ATEX certification	
			Part No.	Type	Part No.	Type
	6	90°	1845706	DRVS-6-90-P	2536483	DRVS-6-90-P-EX4
		180°	1845707	DRVS-6-180-P	2536484	DRVS-6-180-P-EX4
	8	90°	1845708	DRVS-8-90-P	2536485	DRVS-8-90-P-EX4
		180°	1845709	DRVS-8-180-P	2536486	DRVS-8-180-P-EX4
	12	90°	1845710	DRVS-12-90-P	2536487	DRVS-12-90-P-EX4
		180°	1845711	DRVS-12-180-P	2536488	DRVS-12-180-P-EX4
		270°	1845712	DRVS-12-270-P	2536489	DRVS-12-270-P-EX4
	16	90°	1845713	DRVS-16-90-P	2536490	DRVS-16-90-P-EX4
		180°	1845714	DRVS-16-180-P	2536491	DRVS-16-180-P-EX4
		270°	1845715	DRVS-16-270-P	2536492	DRVS-16-270-P-EX4
	25	90°	1845716	DRVS-25-90-P	2536493	DRVS-25-90-P-EX4
		180°	1845717	DRVS-25-180-P	2536494	DRVS-25-180-P-EX4
		270°	1845718	DRVS-25-270-P	2536495	DRVS-25-270-P-EX4
	32	90°	1845719	DRVS-32-90-P	2536496	DRVS-32-90-P-EX4
		180°	1845720	DRVS-32-180-P	2536497	DRVS-32-180-P-EX4
		270°	1845721	DRVS-32-270-P	2536498	DRVS-32-270-P-EX4
	40	90°	1845722	DRVS-40-90-P	2536499	DRVS-40-90-P-EX4
		180°	1845723	DRVS-40-180-P	2536500	DRVS-40-180-P-EX4
		270°	1845724	DRVS-40-270-P	2536501	DRVS-40-270-P-EX4

Semi-rotary drives DRVS

Accessories

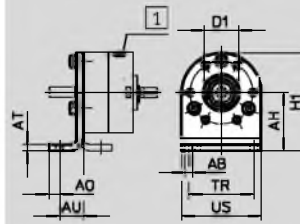
Foot mounting DAMH

Material:
Galvanised steel

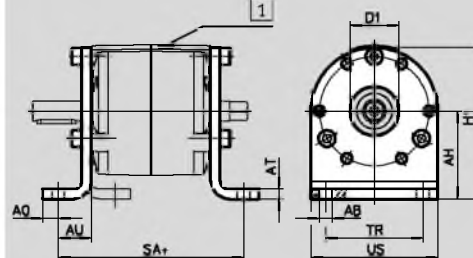
Foot mountings can only be mounted on the front with size 6 and 8.



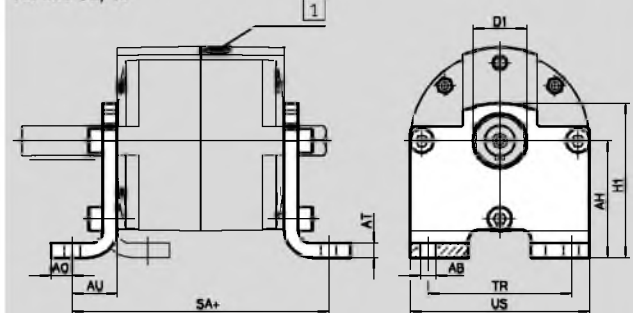
For size 6/8



For size 12 ... 25



For size 32/40

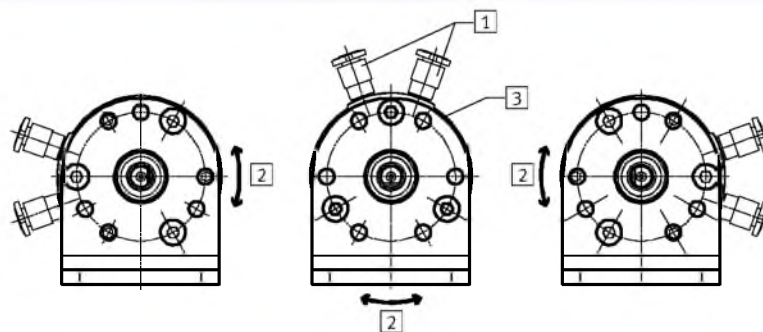


1 Supply ports

Mounting variants in combination with supply ports

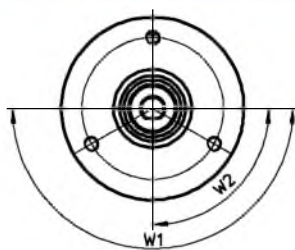
Three mounting variants are possible in combination with the foot mounting DAMH and supply ports 1.

Mid-position of the swivel angle is in position 2.

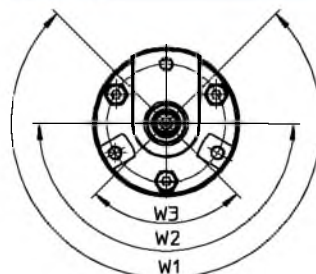


Shaft position in standard position 3 (position swivel angle)

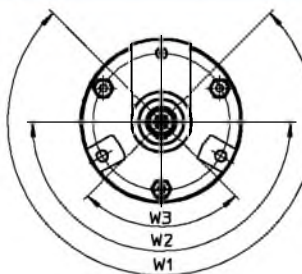
Size 6/8



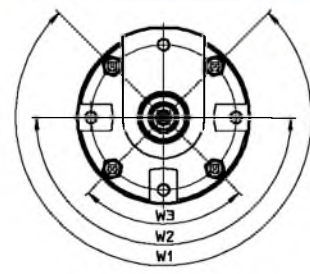
Size 12/16



Size 25



Size 32/40



Semi-rotary drives DRVS

Accessories

Dimensions and ordering data							
For size	AB ∅ H13	AH	AO	AT	AU	D1 ∅	H1
6	3.5	22±0.2	4	3	11	14 ^{+0.05}	36.8±0.5/-0.3
8	3.5	27±0.2	5	3	11	16 ^{+0.05}	45.3±0.4
12	5.5	30±0.2	6	4	14	14 ^{H10}	52±0.5/-0.3
16	5.5	35±0.25	7	4	15	16 ^{H10}	61±0.5/-0.3
25	6.5	45±0.25	8	5	17	25 ^{H10}	77.5±0.5/-0.3
32	8.8	55±0.3	11	6	21	25 ^{H10}	73±0.5
40	8.8	65±0.3	12	8	25	30 ^{H10}	86±0.5

For size	SA	TR	US	Weight ¹⁾	Part No.	Type ²⁾
				[g]		
6	–	20	29.6±0.3/-0.2	27	3371840	DAMH-Q12-6
8	–	30	36.6±0.3	40	3371841	DAMH-Q12-8
12	68.5	30	44 _{-0.5}	79	3371842	DAMH-Q12-12
16	84	40	52 _{-0.5}	111	3371843	DAMH-Q12-16
25	95	50	65 _{-0.5}	203	3371844	DAMH-Q12-25
32	122.5	60	81.5 _{-0.5}	287	3371845	DAMH-Q12-32
40	143	80	100±0.3	529	3371846	DAMH-Q12-40

1) For one foot mounting

2) Suitable for ATEX

Semi-rotary drives DRVS

Accessories

Stop kit KSM

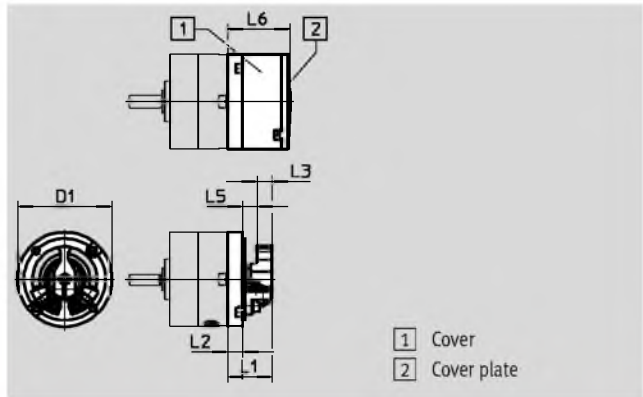
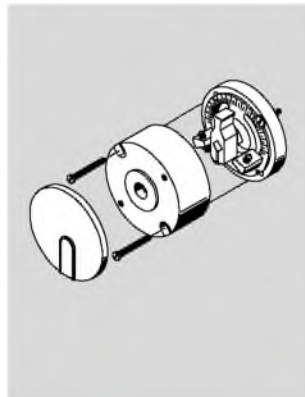
Material:

Housing: Anodised aluminium

Stops: High-alloy stainless steel

Description:

For adjusting the swivel angle



Dimensions and ordering data						
For size	D1 ∅	L1	L2	L3	L5	L6
	±0.2	+0.4	+0.3			+0.2/-0.6
6	29.4	11.2	3.2	5	2.5	17.8
8	37.4	17	6	6	5.7	24.9

For size	Swivel angle [°]	Precision adjustment [°]	Weight [g]	Part No.	Type ¹⁾
6	0 ... 180	-5 ... +1	30	175833	KSM-6
8	0 ... 180	-5 ... +1	70	175834	KSM-8

1) Suitable for ATEX

Mounting kit WSM

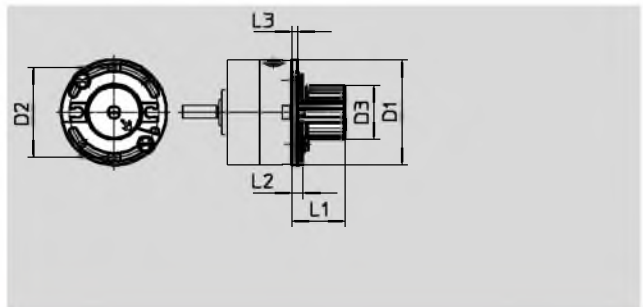
Material:

Bracket, magnet holder: Polyamide

Rail in bracket: Aluminium

Description:

- For sensing the swivel angle
- For mounting the proximity sensor SME/SMT-10



Dimensions and ordering data								
For size	D1 ∅	D2 ∅	D3 ∅	L1	L2	L3	Part No.	Type
	±0.2	±0.2		±1				
6	29.4	25	17.3	19.5	4	2	173205	WSM-6-SME-10
8	37.4	32	19.3	19.5	4	2	173206	WSM-8-SME-10

Ordering data – Adapter kit

	For size	Description	Part No.	Type
	6	For attaching mounting kit WSM to stop kit KSM	3617044	DADP-AK-Q1-6
	8		3617045	DADP-AK-Q1-8

Semi-rotary drives DRVS

Accessories

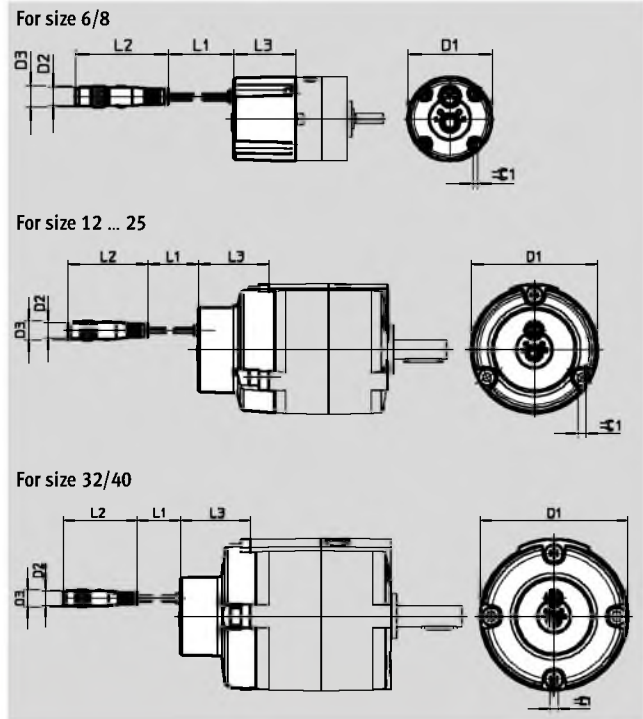
Position sensor SRBS

Material:

Housing: Reinforced PA, nickel-plated brass

Description:

- For sensing the end positions
- Simple and reliable operation using one button
- Only one connecting cable required
→ 21



Dimensions and ordering data							Technical data → Internet: srbs	
For size	D1 ∅	D2	D3 ∅	L1	L2	L3	⌀ 1	
6	29.4	M8x1 (Plug, 4-pin)	9.6	300	41.1	25.4	1.5	
8	32					27.4	2	
12	44.6					29.4	3	
16	51.6					33.9	4	
25	64.5					36	4	
32	81.3					38.9	5	
40	98.3					40.4	6	

For size	Sensing range [°]	Repetition accuracy [°]	Number of switching outputs	Switching output	Switching element	Weight [g]	Part No.	Type
6	0 ... 270	≤ 1	2	PNP/NPN	N/O contact and N/C contact	25	2619969	SRBS-Q12-6-E270-EP-1-S-M8
8						30	2619972	SRBS-Q12-8-E270-EP-1-S-M8
12						42	2393546	SRBS-Q12-12-E270-EP-1-S-M8
16						55	2393547	SRBS-Q12-16-E270-EP-1-S-M8
25						60	2393548	SRBS-Q12-25-E270-EP-1-S-M8
32						81	2393549	SRBS-Q12-32-E270-EP-1-S-M8
40						120	2393550	SRBS-Q12-40-E270-EP-1-S-M8

New

Semi-rotary drives DRVS

Accessories


Stop kit DADP-ES

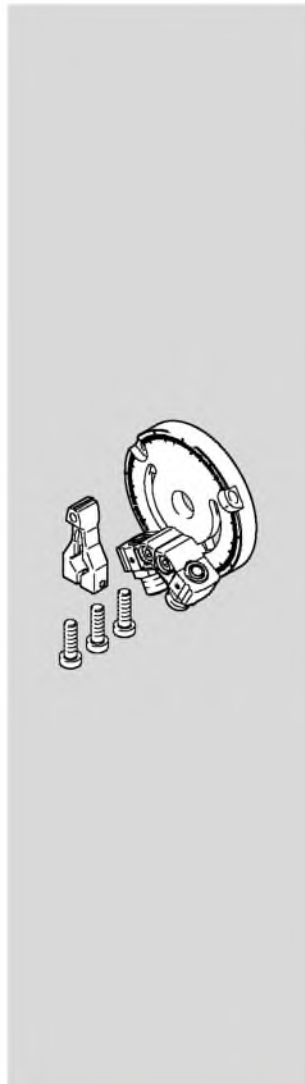
Material:

Disc: Anodised aluminium
 Lever: Nickel-plated beryllium bronze
 Stop: DADP-12: Nickel-plated beryllium bronze,
 DADP-16 ... 40: Stainless steel

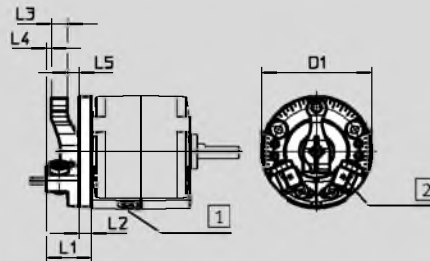
Description:

- For adjusting the swivel angle (precision adjustment via thread)
- With elastic cushioning components for silencing

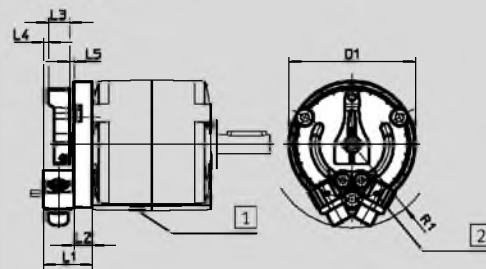
-  - Note
 Perm. mass moment of inertia
 → basic drive



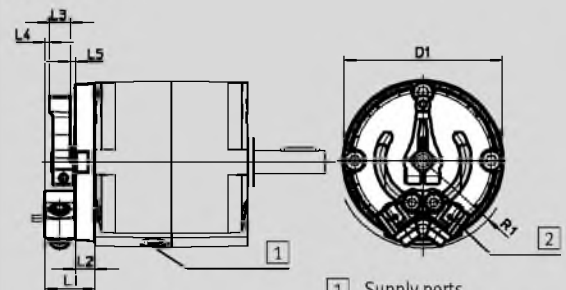
For size 12



For size 16/25



For size 32/40



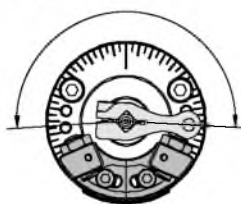
- 1 Supply ports
 2 Mounting thread for sensor bracket

Optimal swivel motion

For a balanced swivel motion it is recommended to position the stops symmetrically to mid-position.

Size 12

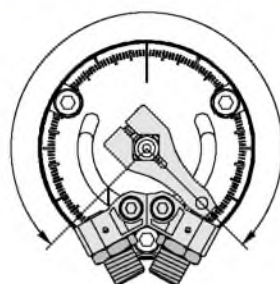
0 ... 190°



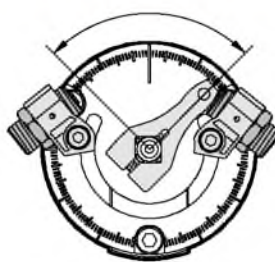
Size 16 ... 40

Connecting 90 ... 270°

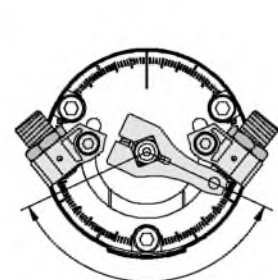
max. 270°



min. 90°



Connecting 0 ... 130°



Semi-rotary drives DRVS

Accessories

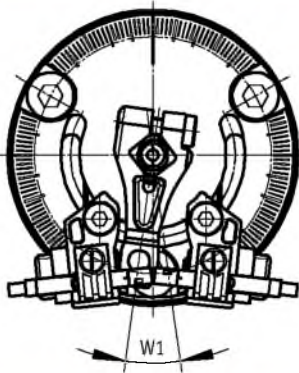
Dimensions and ordering data							
For size	D1 ∅	L1	L2	L3	L4	L5	R1
12	45	18.5	5	6.8	2	4.7	–
16	51.7	21.5	9	8.5	2.3	1.7	34
25	64.6	24.8	9.2	10.8	2.5	2.3	43.5
32	81	25.6	10	10.8	2.2	2.6	45.5
40	100	32	12	13.7	3.3	3	58

For size	Swivel angle [°]	Precision adjustment [°]	Weight [g]	Part No.	Type ¹⁾
12	0 ... 190	–6	60	2536502	DADP-ES-Q12-12
16	0 ... 270	–6	110	2536503	DADP-ES-Q12-16
25	0 ... 270	–6	180	2536504	DADP-ES-Q12-25
32	0 ... 270	–6	250	2536505	DADP-ES-Q12-32
40	0 ... 270	–6	450	2536506	DADP-ES-Q12-40

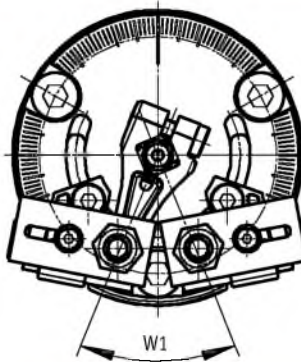
1) Suitable for ATEX

Minimum swivel angle W1 in combination with stop kit DADP-ES and attached proximity sensors

With proximity sensor SME-10/SMT-10





With proximity sensor SIEN-M5/SIEN-M8




Stop kit	Proximity sensor	
	SME-10/SMT-10	SIEN-M5/SIEN-M8
DADP-ES-Q12-12	15°	60°
DADP-ES-Q12-16	15°	45°
DADP-ES-Q12-25	15°	20°
DADP-ES-Q12-32	15°	20°
DADP-ES-Q12-40	15°	15°


Semi-rotary drives DRVS


Accessories

Ordering data – Sensor bracket					
	For size	Description	Part No.	Type	PU ¹⁾
	12 ... 40	<ul style="list-style-type: none"> For sensing the swivel angle For mounting the proximity sensor SME/SMT-10 	550661	SL-DSM-B	2
	12 ... 40	<ul style="list-style-type: none"> For sensing the swivel angle For mounting the proximity sensor SIEN-M5 	1130882	SL-DSM-S-M5-B	2
		<ul style="list-style-type: none"> For sensing the swivel angle For mounting the proximity sensor SIEN-M8 	1132360	SL-DSM-S-M8-B	

1) Packaging unit

Proximity sensor for size 6 ... 40						
Ordering data – Proximity sensor for C-slot, magneto-resistive					Technical data → Internet: smt	
	Type of mounting	Switching output	Electrical connection, outlet direction	Cable length [m]	Part No.	Type
N/O contact						
	For size 6, 8: with mounting kit WSM-...-SME-10 For size 12 ... 40: Mounted on the DRVS using sensor bracket SL-DSM-B	PNP	Cable, 3-wire, in-line	2.5	551373	SMT-10M-PS-24V-E-2,5-L-OE
			Plug M8x1, 3-pin, in-line	0.3	551375	SMT-10M-PS-24V-E-0,3-L-M8D


Ordering data – Proximity sensor for C-slot, magnetic reed						Technical data → Internet: sme	
	Type of mounting	Switching output	Electrical connection, outlet direction	Cable length [m]	Part No.	Type	
N/O contact							
	For size 6, 8: with mounting kit WSM-...-SME-10 For size 12 ... 40: with sensor bracket SL-DSM-B	Contacting	Cable, 3-wire, in-line	2.5	173210	SME-10-KL-LED-24	
			Plug M8x1, 3-pin, in-line	0.3	173212	SME-10-SL-LED-24	

Proximity sensor for size 12 ... 40						
Ordering data – Proximity sensor for C-slot, magnetic reed					Technical data → Internet: sme	
	Type of mounting	Switching output	Electrical connection, outlet direction	Cable length [m]	Part No.	Type
N/O contact						
	With sensor bracket SL-DSM-B	Contacting	Cable, 3-wire, in-line	2.5	551365	SME-10M-DS-24V-E-2,5-L-OE
			Plug M8x1, 3-pin, in-line	0.3	551367	SME-10M-DS-24V-E-0,3-L-M8D



Semi-rotary drives DRVS

Accessories



Inductive proximity sensor for size 12 ... 40

Ordering data – Proximity sensor, inductive					Technical data → Internet: sien	
	Type of mounting	Thread	Contact	Connection	Part No.	Type
	With sensor bracket SL-DSM-S	M5	N/O contact	Cable, 2.5 m	150370	SIEN-M5B-PS-K-L
				Plug connector	150371	SIEN-M5B-PS-S-L
		M8	N/O contact	Cable, 2.5 m	150386	SIEN-M8B-PS-K-L
				Plug connector	150387	SIEN-M8B-PS-S-L



Ordering data – Connecting cables

Ordering data – Connecting cables				Technical data → Internet: nebu	
	Electrical connection, left	Electrical connection, right	Cable length [m]	Part No.	Type
	Straight socket, M8x1, 3-pin	Cable, open end, 3-wire	2.5	541333	NEBU-M8G3-K-2.5-LE3
			5	541334	NEBU-M8G3-K-5-LE3
	Angled socket, M8x1, 3-pin	Cable, open end, 3-wire	2.5	541338	NEBU-M8W3-K-2.5-LE3
			5	541341	NEBU-M8W3-K-5-LE3

Connecting cables for position sensor SRBS

Accessories – Connecting cables				Technical data → Internet: nebu	
	Electrical connection, left	Electrical connection, right	Cable length [m]	Part No.	Type
	Straight socket, M8x1, 4-pin	Cable, open end, 4-wire	2.5	541342	NEBU-M8G4-K-2.5-LE4
			5	541343	NEBU-M8G4-K-5-LE4
	Straight socket, M8x1, 4-pin	Straight plug, M8x1, 4-pin	2.5	554035	NEBU-M8G4-K-2.5-M8G4

Ordering data – One-way flow control valves

Ordering data – One-way flow control valves					Technical data → Internet: grla	
	For size	Connection		Material	Part No.	Type
		Thread	For tubing O.D.			
For exhaust air						
	6, 8	M3	3	Metal design	175041	GRLA-M3-QS-3
			3		193137	GRLA-M5-QS-3-D
			4		193138	GRLA-M5-QS-4-D
	12, 16, 25	M5	3		193142	GRLA-1/8-QS-3-D
			4		193143	GRLA-1/8-QS-4-D
			6		193144	GRLA-1/8-QS-6-D
			8		193145	GRLA-1/8-QS-8-D

(8182)63-90-72
+7(7172)727-132
(4722)40-23-64
(4832)59-03-52
(423)249-28-31
(844)278-03-48
(8172)26-41-59
(473)204-51-73
(343)384-55-89
(4932)77-34-06
(3412)26-03-58
(843)206-01-48

(4012)72-03-81
(4842)92-23-67
(3842)65-04-62
(8332)68-02-04
(861)203-40-90
(391)204-63-61
(4712)77-13-04
(4742)52-20-81
(3519)55-03-13
(495)268-04-70
(8152)59-64-93
(8552)20-53-41

(831)429-08-12
(3843)20-46-81
(383)227-86-73
(4862)44-53-42
(3532)37-68-04
(8412)22-31-16
(342)205-81-47
- - (863)308-18-15
(4912)46-61-64
(846)206-03-16
- (812)309-46-40
(845)249-38-78

(4812)29-41-54
(862)225-72-31
(8652)20-65-13
(4822)63-31-35
(3822)98-41-53
(4872)74-02-29
(3452)66-21-18
(8422)24-23-59
(347)229-48-12
(351)202-03-61
(8202)49-02-64
(4852)69-52-93